



# NO HOLES MOUNT (NHM)

2013+ DODGE JOURNEY | 2013+ JEEP COMPASS/PATRIOT - COMPUTER MOUNT

Specification Sheet

425-5005/4143

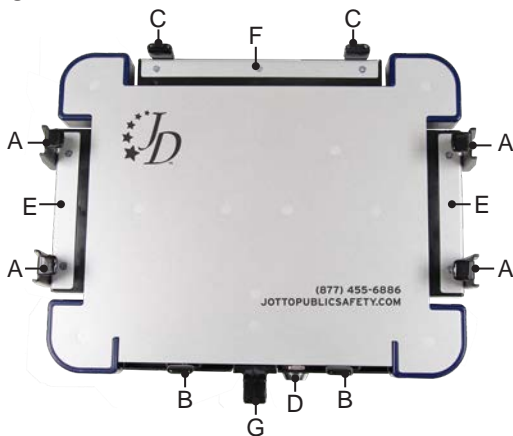
## DETAILED INFORMATION

### No Holes Mount

Height Variation .....	21" to 25"
Swing Arm .....	1" square x 13 3/8" · Solid Aluminum, Black Anodized
Telescoping Rod .....	7/8" x 12" · Steel · 5/8" turned swing arm rest
Stand .....	1" x 10" · 11 Gauge Steel, Black · Round Stock
Base .....	3/16" Gauge Master · One-piece Base · Tapped 7/8" Mounting Post

### A-MOD (Adjustable-Mobile Operations Desktop)

Length .....	13.5"
Width .....	10.75"
Height .....	1"



### 450-4143 A-MOD DESKTOP

- A. Side Clamps, Standard or Tall (Case Hardened Steel)
- B. Front Tabs (Case Hardened Steel)
- C. Rear Tabs and Offset Rear Tabs (Case Hardened Steel)
- D. Tubular Lock - Solid Brass/High Security
- E. Side Trays
- F. Rear Tray
- G. Latch Release Handle

## HOW TO ORDER

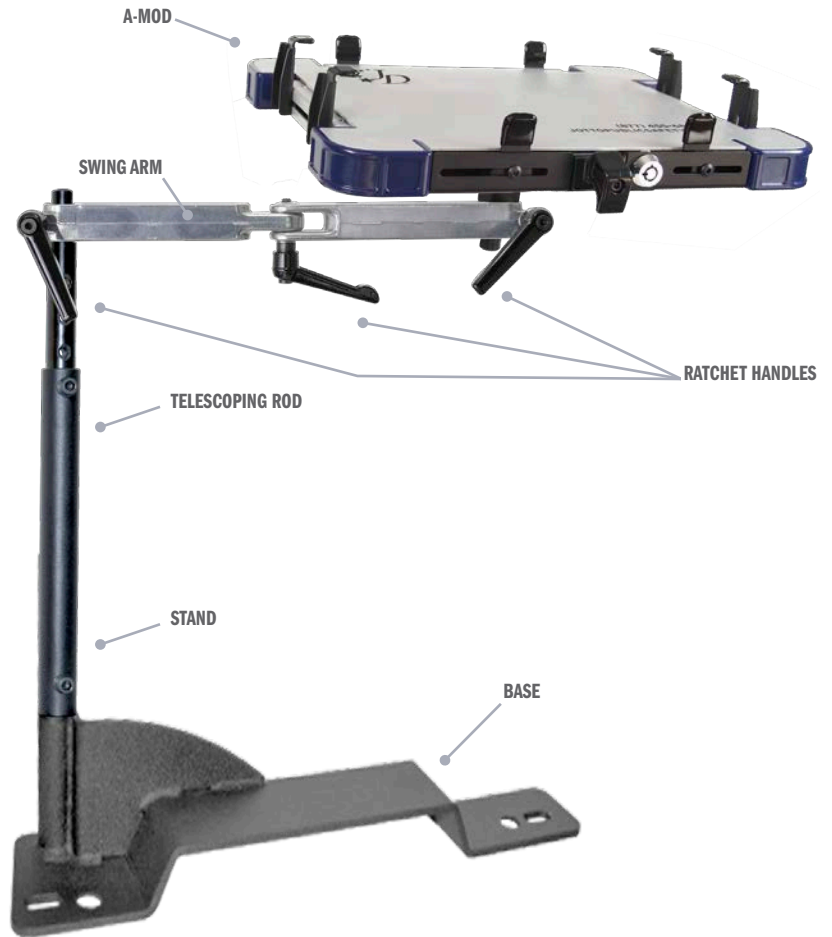
### Computer Mount Package

#### 425-5005/4143 (A-MOD)

Includes: Desktop, Swing Arm, Telescoping Rod, Stand, Base, and Hardware

### Base

425-3655



#### A-MOD Desktop

Rotates 360° with ergonomic platform tilt. "One Hand" operation for removing and securing computer. Height and width adjustments allow for securing the majority of laptop computers. XL model available for larger laptops (450-4144).

#### Swing Arm

Rotates 360° around stand and extends 6 3/4". Ratchet Handles secure swing arm in position at elbow and stand.

#### Telescoping Rod

Extends desktop height. Travels inside of stand.

#### Ratchet Handles

Secures swing arm positioning and allows for 360° swing arm rotation.

#### Stand

Stand attaches to base and houses Telescoping Rod.

#### One Piece Mounting Base

3/16" gauge steel, one-piece base design increases overall sturdiness and frees up leg room.

#### Telescoping Tripod Support

Two Brace kits attached to the stand provide additional support. Both braces can be mounted to varying flat, vertical or angled surfaces.

#### One Piece Mounting Base

3/16" gauge steel, one-piece base design increases overall sturdiness and frees up leg room.



209 W. EASY ST., ROGERS, AR 72756 • JOTTOPUBLICSAFETY.COM • 1/25

Jotto Desk™ is a patented product and Registered Trademark of Assembled Products™ Corporation.  
Specifications subject to change without notice.

